



Electrolux
PROFESSIONAL

**Handling System for Rack Type
Automatic Sorting Table Pass Thru,
Dishwashing Driven with 3 Baskets - left
to Right, 1620mm**

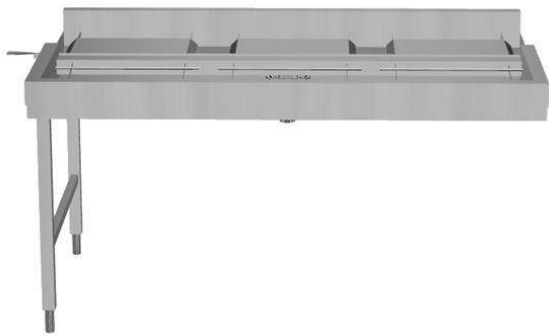
ITEM # _____

MODEL # _____

NAME # _____

SIS # _____

AIA # _____



865468 (HSDDPTS3LR)

Pass-through automatic
sorting table, Dishwasher
driven, 3 baskets, Right>Left,
1576 mm

Short Form Specification

Item No. _____

Constructed in 304 AISI stainless steel. Basin with sloping bottom, drain with double strainer baskets. Rack-guides inclined towards the sorting side. Dishwasher driven rack movement. Feeding bars and carriers. Square 40x40mm tubular legs on height-adjustable feet. Designed for 500x500mm dishwashing baskets. Attachment to the dishwasher on the left side. Basket feed direction: from left to right.

Main Features

- Designed to transport 500x500 mm dishwashing baskets.
- "Key holes" and "snap on" system reduces the number of screws needed for fast and easy installation.
- Stacking tables for 7 and 8 baskets on request.
- Optional extras: basin wash nozzles for cleaning the basin.
- Driven by the dishwasher.

Construction

- All surfaces smooth with polished finish.
- Thick welded flanges for sturdy connection between the units.
- Sloping bottom of the table grants a smooth and rapid drainage.
- Stainless steel strainer baskets easy to remove.
- Rack-guides inclined towards the basin.
- Double filter strainer installed on both sides allow the access from both directions.
- Constructed in AISI 304 stainless steel with square 40x40mm tubular construction feet and legs.
- Double stainless steel strainer basket for easy operation.

Optional Accessories

- Pre-rinse unit (thermostatic mixer and shower) to be mounted on overshell PNC 863136
- Additional waste rack for dishwasher driven and automatic sorting table PNC 863173
- Soaking basin for cutlery rack including lifting device for dishwasher driven sorting table PNC 863230
- Emergency stop kit for Rack Type Dishwasher (not for Basic handling system) PNC 865162
- Basket support for vertical stacking of baskets (to be used with overshell) PNC 865208
- Pre-rinse unit (mixer and shower) PNC 865209
- Double overshell for pass-through 3-basket sorting table, 1576 mm PNC 865428
- Overshell for pass-through 3-basket sorting table, 1576 mm PNC 865432
- Tray slide for pass-through 3-basket sorting table, 1576 mm PNC 865436
- Tray slide fixing brackets (3pcs) PNC 865437
- Grid undershell for 3-basket sorting table PNC 865438
- Pre-wash spray unit, 1500 mm PNC 865443
- Tray slide for sorting table, 500 mm PNC 865444
- Tray slide with waste hole and rubber ring, 500 mm PNC 865445
- Dish scraper PNC 865447

APPROVAL: _____



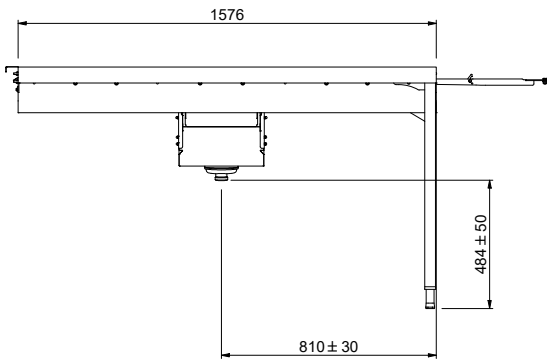
Experience the Excellence
www.electroluxprofessional.com



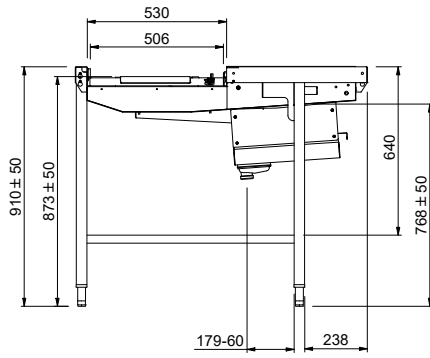
- Water heating kit for wash basin PNC 865449
- Foldable tray slide for pass-through 3-basket sorting table, 1576 mm PNC 865457
- Retractable pre-rinse unit with fixed thermostatic water mixer, hose length, 14mm PNC 865460
- Brackets to support baskets under the sorting table PNC 865478



Front



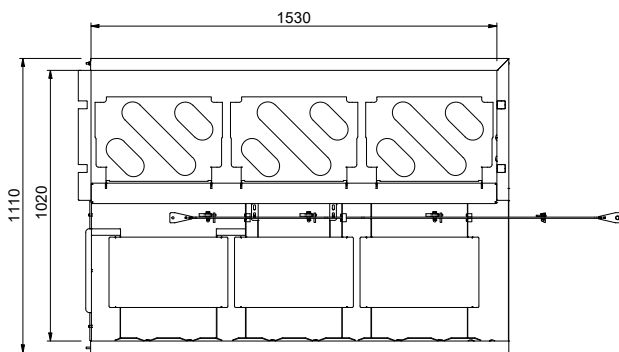
Side



Factory mounted waste rack

D = Drain

Top


Key Information:

External dimensions, Width:	
865468 (HSDDPTS3LR)	1576 mm
External dimensions, Depth:	1110 mm
External dimensions, Height:	910 mm
Net weight:	42 kg
Height adjustment:	50/50 mm
Basket movement:	Left to right
Position to dishwasher:	Loading
Basin material:	Stainless Steel AISI 304 - EN 1.4301